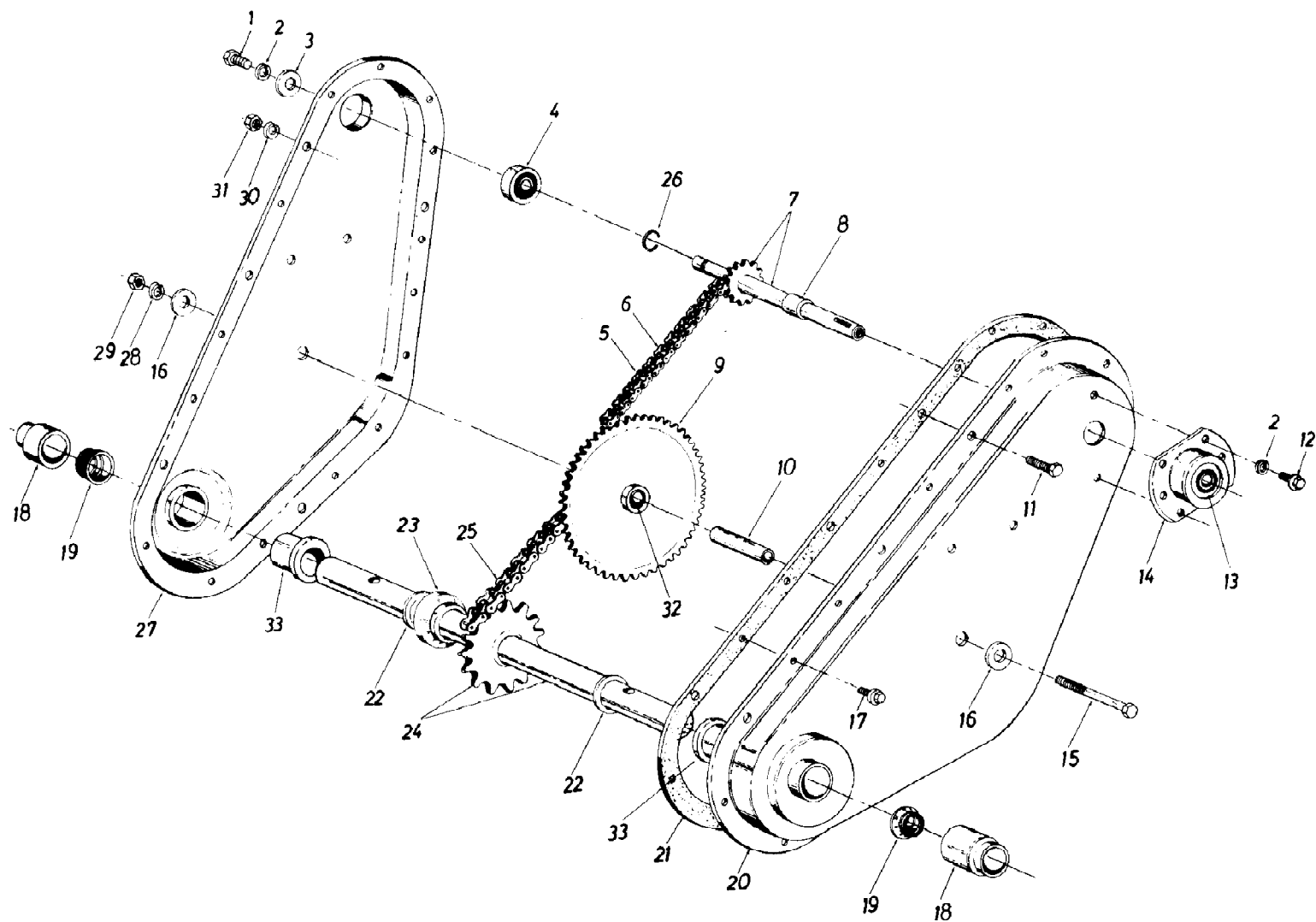


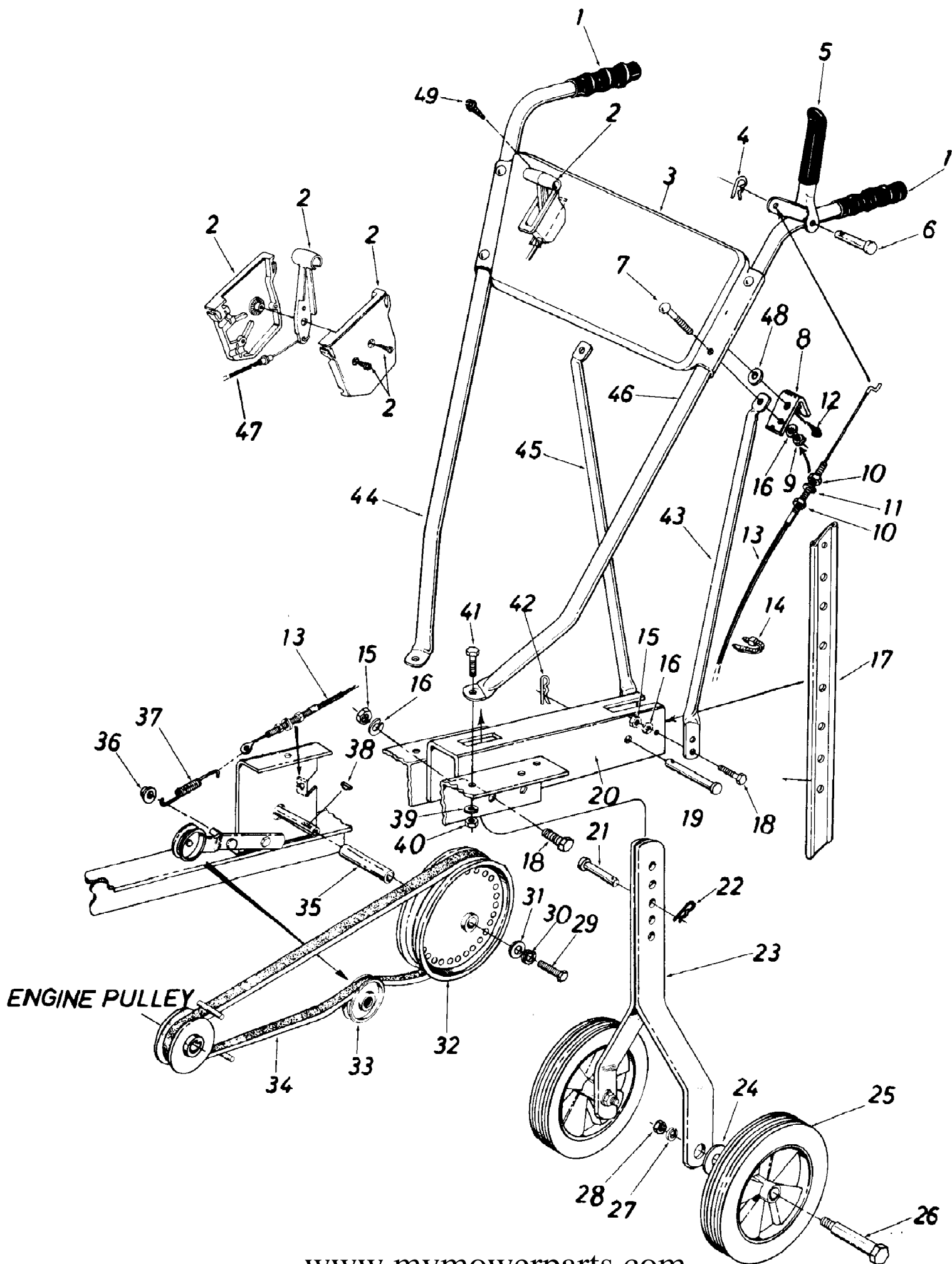
218-310-190 Roto Boss 510 (1988)
Chain Case Assembly



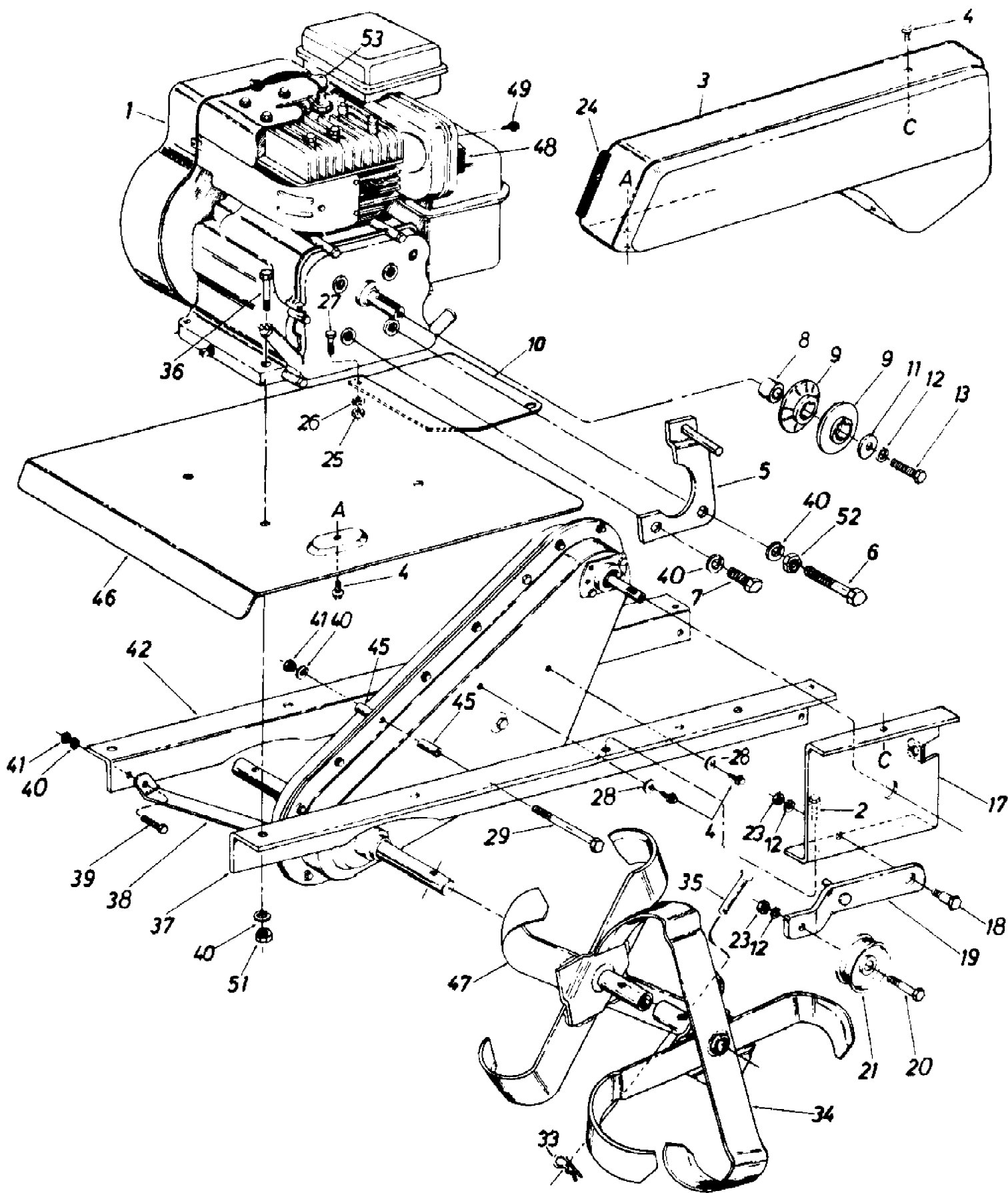
218-310-190 Roto Boss 510 (1988)
Chain Case Assembly

Page 2 of 6

Ref #	Part Number	Qty	S/P/F	Description
1	710-0513	1		Hex L-Scr. 1/4-28 x .625" Lg.
2	736-0329	1	S	L-Wash. 1/4" I.D.*
3	736-0176	1	S	FI-Wash. .25" I.D. x .93" O.D. x .125" Thk.
4	741-0155	1	S	Bearing .62" I.D. x 1.38" O.D. x .437" Thk.
5	713-0327	1	S	#35 Chain 3/8" Pitch x 52 Links-Endless
6	713-0139	1	S	Master Link (Service Only)
7	04956	1		Input Shaft Assembly
8	750-0471	1	S	Spacer
9	713-0331	1	S	Sprocket Assembly (Includes Ref. No. 32)
10	750-0275	1		Sprocket Hub Tubing 3/8" I.D. x 5/8" O.D. x 1.9" Lg.
11	710-0118	1	S	Hex Scr. 5/16-18 x .625" Lg.
12	710-0599	1	/P	Hex Wash. Hd. Self-Tap Scr. 1/4-20 x .50" Lg.
13	741-0155	1	S	Bearing .625" I.D. x 1.38 O.D. x .437" Thk.
14	05034	1	S	Bearing Housing
15	710-0629	1		Hex Scr. 3/8-24 x 2.75" Lg.
16	736-0258	1	/P	FI-Wash. 3/8" I.D. x 1.25" O.D. x .100 Thk.
17	710-0599	1	/P	Hex Wash. Hd. Self-Tap Scr. 1/4-20 x .50" Lg
18	731-0487	1	S	Dust Cap
19	721-0175	1	S	Seal
20	14985	1		Tiller Housing-L.H.
21	721-0170	1		Gasket
22	736-0163	1	S	Thrust Wash. 1.00" I.D. x .030" Thk.
23	750-0570	1	S	Step Spacer
24	784-0089	1		Tine Shaft Assembly
25	713-0328	1	S	#50 Chain 5/8" Pitch x 46 Links-Endless
26	716-0131	1	S	Snap Ring
27	14984	1	S	Tiller Housing-R.H.
28	736-0169	1	S	L-Wash. 3/8" I.D.*
29	712-0711	1	/P	Hex Nut 3/8-24 Thd.
30	736-0119	1	S	L-Wash. 5/16" Scr.*
31	712-0267	1	S	Hex Nut 5/16-18 Thd.*
32	741-0304	1		Bearing (For Service Only-Must be Press Fit)
33	731-0374	1	S	Bearing



Ref #	Part Number	Qty	S/P/F	Description
1	720-0204	1	/P	Grip
2	831-0823	1	S	Throttle Control Box
3	784-0036	1		Handle Panel
4	714-0104	1	S	Int. Cotter Pin
5	784-0008	1		Clutch Grip Ass'y.
6	711-0415	1	S	Clevis Pin
7	710-0458	1	/P	Carriage Bolt 5/16-18 x 1.75" Lg.*
8	15093	1	S	Cable Support Brkt.
9	712-0267	1	S	Hex Nut 5/16-18 Thd.*
10	712-0256	1	/P	Hex Jam Nut 5/16-24 Thd.
11	736-0119	1	S	L-Wash. 5/16" I.D.
12	710-0599	1	/P	Hex Wash. Hd. Self-Tap Scr. 1/4-20 x .50" Lg.
13	746-0508	1	S	Clutch Control Cable
14	725-0157	1	/P	Cable Tie
15	712-0267	1	S	Hex Nut 5/16-18 Thd.*
16	736-0119	1	S	L-Wash. 5/16" I.D.*
17	04668	1		Depth Bar
18	710-0118	1	S	Hex Bolt 5/16-18 x .75" Lg.*
19	711-0761	1	/P	Clevis Pin 1/2" Dia. x 2.50" Lg.
20	784-0005	1		Tailpiece Ass'y.
21	711-0755	1	S	Clevis Pin 3/8" Dia. x 2.50" Lg.
22	714-0149	1	S	Hairpin Cotter
23	06813	1	/P	Wheel Bracket Ass'y.
24	736-0253	1	S	Belleville Wash. 1/2" I.D.
25	734-0968	1	S	Wheel Ass'y. 9 x 1.75
26	738-0318	1	S	Shoulder Bolt
27	736-0921	1	S	L-Wash. 1/2" I.D.*
28	712-0200	1	S	Hex Nut 1/2-20 Thd.*
29	710-0412	1	/P	Hex Bolt 1/4-28 x .75" Lg.
30	736-0329	1	S	L-Wash. 1/4" I.D.'
31	736-0176	1	S	FI-Wash. .25" I.D. x .930" O.D.
32	756-0389	1	S	Pulley 6.00" O.D.
33	756-0137	1		Idler Pulley
34	754-0190	1	S	"V"-Belt 1/2" Pitch x 39" Lg.
35	750-0472	1		Spacer
36	726-0106	1	S	Cap Speed Nut
37	732-0387	1		Extension Spring
38	714-0388	1	S	Hi-Pro Key
39	736-0119	1	S	L-Wash. 5/16" I.D.*
40	712-0267	1	S	Hex Nut 5/16-18 Thd.*
41	710-0118	1	S	Hex Bolt 5/16-18 x .75" Lg.
42	714-0149	1	S	Hairpin Cotter
43	749-0633	1		Handle Support Bracket* L.H.
44	749-0626	1		Handle Bar-R.H.
45	749-0632	1		Handle Support Bracket-R.H.
46	749-0627	1		Handle Bar-L.H.
47	746-0503	1	S	Throttle Control Cable-35"
48	736-0142	1	S	FI-Wash. .281" I.D. x .50" O.D.
49	710-0779	1	S	Self-Tap Scr. #10 x 1/2" Lg.



Ref #	Part Number	Qty	S/P/F	Description
1		1		Engine
2	710-0600	1	/P	Hex Self-Tap Scr. 5/16-24 x-.5"
3	04958	1		Belt Cover
4	710-0599	1	/P	Hex Self-Tap Scr. 1/4-20 x .5"
5	784-0114	1		Belt Keeper Brkt. Ass'y.
6	710-0593	1		Hex Bolt 5/16-24 x 2.25" Lg. (Gr. 5)
7	710-0237	1	/P	Hex Bolt 5/16-24 x .62" Lg. (Gr. 5)
	710-0121	1		Hex Bolt 1/2-20 Thd. (Special)
8	750-0345	1		Spacer
9	748-0282	1		Pulley Half
10	784-0265	1		Tine Shield Extension
11	736-0258	1	/P	FI-Wash. 3/8" I.D. x 1.25"
12	736-0169	1	S	L-Wash. 3/8" I.D.*
13	710-0152	1	S	Hex Bolt 3/8-24 x 1.00" Lg.
17	04934	1		Idler Mounting Brkt.
18	738-0322	1	S	Shld. Bolt
19	784-0027	1		Idler Bracket Ass'y.
20	710-0344	1	/P	Hex Bolt 3/8-16 x 1.5" Lg.
21	756-0137	1		Idler Pulley
23	712-0342	1	/P	Hex Jam Nut 3/8-16 Thd.
24	731-0511	1	/P	Trim Strip-3"
25	712-0287	1	S	Hex Nut 1/4-20 Thd.*
26	736-0329	1	S	L-Wash. 1/4" I.D.*
27	710-0258	1	S	Hex Bolt 1/4-20 x .62 Lg.*
28	736-0270	1	/P	Bell-Wash. .26 I.D. x .75 O.D.
29	710-0189	1	/P	Hex Bolt 5/16-18 x 3" Lg.*
33	714-0149	1	S	Hairpin Cotter
34	784-0092	1	S	Inner Tine Ass'y. Comp.-R.H.
	784-0094	1	S	Outer Tine Ass'y. Comp.-R.H.
	784-0091	1	S	Inner Tine Ass'y. Comp.-L.H.
	784-0093	1		Outer Tine Ass'y. Comp.-L.H.
35	1545-029	1	S	Clevis Pin
36	710-0442	1	S	Hex Bolt 5/16-18 x 1.5" Lg.
37	04949	1		Frame Rail-L.H.
38	04933	1		Front Brace Brkt.
39	710-0118	1	S	Hex Bolt 5/16-18 x .75" Lg.'
40	736-0119	1	S	L-Wash. 5/16" I.D.*
41	712-0158	1	S	Hex Cent. L-Nut 5/16-18 Thd.
42	04948	1		Frame Rail-R.H.
45	750-0470	1		Spacer
46	784-0001	1		Tine Shield
47	784-0092	1	S	Inner Tine Ass'y. Comp.-R.H.
	784-0094	1	S	Outer Tine Ass'y. Comp.-R.H.
	784-0091	1	S	Inner Tine Ass'y. Comp.-L.H.
	784-0093	1		Outer Tine Ass'y. Comp.-L.H.
48	751-0233	1	S	Deflector
49	710-0783	1		Hex Self-Tap Scr. #8-32 0 x.38" Lg.
51	712-0267	1	S	Hex Nut 5/16-18 Thd.*
52	712-0123	1	/P	Hex Nut 5/16-24 Thd.*
53	735-0639	1	/P	Spark Plug Boot (Optional)